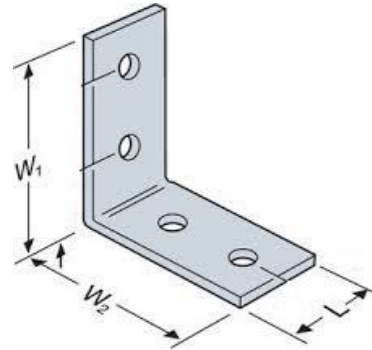


Corner Braces



Corner Braces		
W1	W2	L
25	25	16
38	38	16
50	50	16
65	65	16
75	75	16
100	100	22

<i>Material</i>	<i>Steel</i>	<i>Finish</i>	<i>Zinc Plated</i>
	<i>Steel</i>	<i>Finish</i>	<i>Zinc And Yellow</i>
<i>Sizes</i>	<i>25m/m - 38m/m - 50m/m - 65m/m - 75m/m</i>		

INFORMATION AND DRAWINGS PROVIDED ARE FOR REFERENCE ONLY